

Project Name:	Part Number:	Type:
---------------	--------------	-------

2'X2' VOLUMETRIC TROFFER

RECESSED TROFFER



FEATURES

- Architectural design
- Steel housing
- White powdercoat finish
- Integrated hurricane clips
- Frosted acrylic lens
- 0-10V Dimmable Driver (100% - 5%)
- TypelC (suitable for insulation contact)
- 3500K and 4000K available
- Universal Voltage
- 5 Year Warranty
- DesignLights Consortium® Premium Qualified Luminaire



SUITABLE APPLICATIONS

- Offices
- Hallways
- Multipurpose Rooms
- Conference Rooms

LED SYSTEMS INFO		24W	30W	24W	30W	
Calculated L ₇₀ (TM-21)	4000K	>100K	>100K	3500K	>100K	
Delivered Lumens		2,898 lm	3,780 lm		2,574 lm	3,564 lm
Total Input Watts		23 W	30 W		22 W	29 W
Luminaire Efficacy Rating (LER)		126 lm/W	126 lm/W		117 lm/W	125 lm/W
Correlated Color Temperature (CCT)		4000K	4000K		3500K	3500K
Color Rendering Index (CRI)		>80	>80		>80	>80
Ambient Temperature Range		110°F	110°F		110°F	110°F
Universal Driver	120-277 V	120-277 V	120-277 V	120-277 V		

LED System data above based on VOL22-24WLED-UNIV-40, VOL22-30WLED-UNIV-40, VOL22-24WLED-UNIV-35, & VOL22-30WLED-UNIV-35
 LED Lumen maintenance estimates based on TM-21 projections for the light source at 25°C ambient.

ORDERING GUIDE:

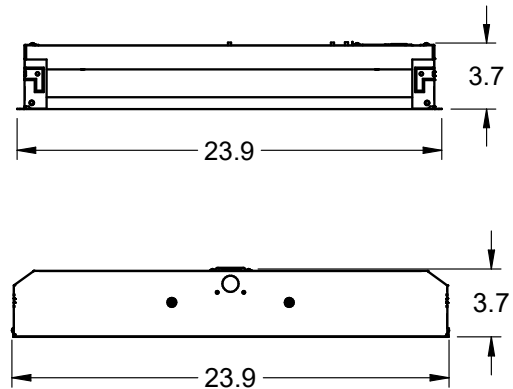
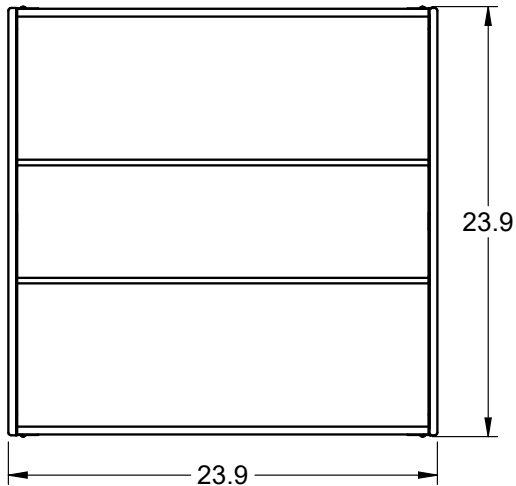
Series	Watts	Driver	Color	Options
VOL22 Volumetric Troffer 2'x2'	24WLED	UNIV 120-277V Driver	40	FLGK Flange Kit
	30WLED		35	WHIP/6ft/5WIRE/600V 6ft MC Cable w/ 3 leads attached to power & 2 leads attached to dimming (120V-277V)
				WHIP/6ft/6WIRE/600V 6ft MC Cable w/ 3 leads for fixture power, 1 lead for battery backup power & 2 leads attached to dimming (120V-277V)
				FI/ILBCP05† Factory Installed 5W LED Battery Backup
				FI/ILBCP07† Factory Installed 7W LED Battery Backup
				FI/ILBCP10† Factory Installed 10W LED Battery Backup
				FI/ILBCP12† Factory Installed 12W LED Battery Backup
				FI/ILBCP12† Factory Installed 12W LED Battery Backup

† Height with factory installed battery backup up to 5.125

2'X2' VOLUMETRIC TROFFER

RECESSED TROFFER

LINE DRAWINGS



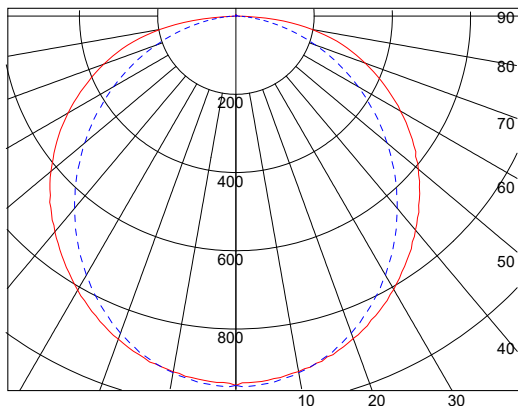
PHOTOMETRIC REPORTS

VOL22-24WLED-UNIV-40

SUMMARY DATA

HEMISPHERES TESTED:	BOTH
EFFICIENCY (Downlight/Uplight):	99.8 % / 0.2 %
CIE CLASSIFICATION:	DIRECT
LUMENS:	2763.43
INPUT WATTS:	22.4

CANDELA PLOT



Totally Asymmetric Solid: 180-0 Degrees Dashed: 270-90 Degrees

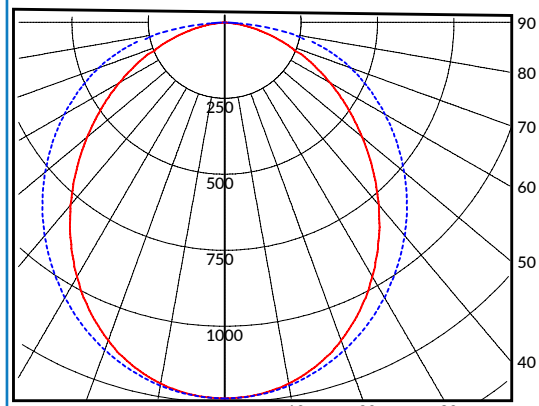
Photometric values based upon tests performed in compliance w/ LM-79.
Download IES files at www.ilp-inc.com

VOL22-30WLED-UNIV-40

SUMMARY DATA

HEMISPHERES TESTED:	BOTH
EFFICIENCY (Downlight/Uplight):	100.0 % / 0.0 %
CIE CLASSIFICATION:	DIRECT
LUMENS:	3574.9
INPUT WATTS:	28.8

CANDELA PLOT



Totally Asymmetric Solid: 180-0 Degrees Dashed: 270-90 Degrees

Photometric values based upon tests performed in compliance w/ LM-79.
Download IES files at www.ilp-inc.com