

VALUE STRIP

COMMERCIAL



407-478-3759
www.ilp-inc.com

FEATURES

- Architectural design LED Strip fixture
- Steel housing with white powdercoat finish
- 4ft & 8ft lengths available
- Multiple dimming & sensor options to fully control occupied & unoccupied light levels
- Round frosted acrylic lens
- Ceiling, wall, or suspension mounting options
- Junction box cover included
- 4000K and 5000K color options available
- 0-10V Dimmable Driver (100% - 10%)
- 120V-277V Universal Voltage
- 5 Year Warranty
- UL Damp Location Rated
- DesignLight Consortium® Premium Qualified Luminaire



SUITABLE APPLICATIONS

- Retail Applications
- Warehouses
- Schools
- Hallways
- Distribution Centers
- Manufacturing Facilities

LED INFO		25W	35W	46W		46W	65W	90W
Calculated L ₇₀ (TM-21) Hours	4FT	>100K	>100K	>100K	8FT	>100K	>100K	>100K
Delivered Lumens		3,325 lm	4,620 lm	5,980 lm		5,980 lm	8,580 lm	11,700 lm
Total Input Watts		25 W	35 W	46 W		46 W	65 W	90 W
Luminaire Efficacy Rating (LER)		133 lm/W	132 lm/W	130 lm/W		130 lm/W	132 lm/W	130 lm/W
Correlated Color Temperature (CCT)		4000K	4000K	4000K		4000K	4000K	4000K
Color Rendering Index (CRI)		>80	>80	>80		>80	>80	>80
Ambient Range		-4°F - 122°F	-4°F - 122°F	-4°F - 122°F		-4°F - 122°F	-4°F - 122°F	-4°F - 122°F
LED System data based on VS4-25WLED-U-40-FRAL, VS4-35WLED-U-40-FRAL, VS4-46WLED-U-40-FRAL, VS8-46WLED-U-40-FRAL, VS8-65WLED-U-40-FRAL, & VS8-90WLED-U-40-FRAL. LED Lumen maintenance estimates based on TM-21 projections for the light source at 25°C ambient.								

ORDERING GUIDE:

Series	Watts	Driver	Color	Options	
VS4 Slim Strip 4ft	25WLED	U 120-277V Driver	40	<input checked="" type="checkbox"/> FRAL	Frosted Acrylic Lens (Standard)
	35WLED		50	FIOS	On/Off Occupancy Sensor (End Mounted)
	46WLED			BDxx	Preset Bi-level Dim Sensor (xx = % ie. 20, 30) (End Mounted)
VS8 Slim Strip 8ft	46WLED	U 120-277V Driver		USB	User Select Bi-level Dim Occ. Sensor (End Mounted)
				FMB*	Fixture Mounting Box (Use with HUB for single point mounting)
				HUB 3/4**	¾" Conduit Hub (For center pendant mount only) (Use with FMB)
	65WLED		HB-XX-18Y-PAD	Y-Toggle Cable System (XX = in)	
			ALBR	Alignment Bracket (Used to align fixtures mounted in continuous rows)	
	90WLED		SD347	347V Step Down Transformer	
			SD480	480V Step Down Transformer	
			FI/ILBCP07	7W LED Factory Installed Battery Backup	
			FI/ILBCP010	10W LED Factory Installed Battery Backup	
			CORDX	Cord (x=ft)	
			CORD/6FT/5WIRE/600V	6ft 5 Wire cord with 3 leads attached to power and 2 leads attached to dimming (120V-277V)	
	CORD/6FT/6WIRE/600V	6ft 6 Wire cord with 3 leads for fixture power, 1 lead for battery backup power, and 2 leads for dimming (120V-277V)			
	CORD/6FT/L7-15P	6 foot cord with 277V, 15 Amp Twist Lock Plug			

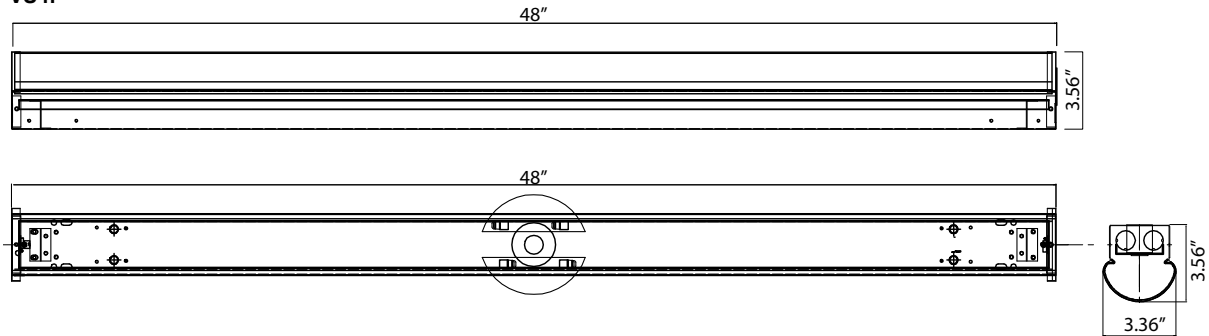
*Available for 4ft only

VALUE STRIP

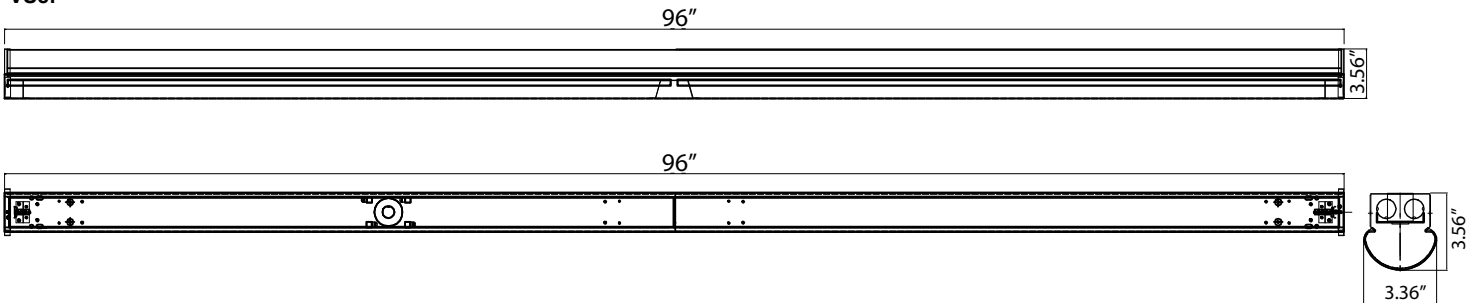
COMMERCIAL

LINE DRAWINGS

VS4:

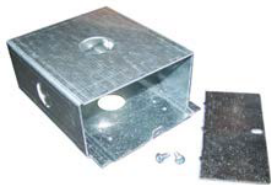


VS8:



MOUNTING OPTIONS

- **FMB** - Fixture Mounting Box (Requires HUB) (Available for 4ft only)
- **HUB 3/4"** - 3/4" Conduit Hub (Used with FMB for Single point mounting) (Available for 4ft only)
- **HB-XX-18Y-PAD** - Y-Toggle Cable System (XX = in)



FMB



HUB 3/4"



HB-XX-18Y-PAD

VALUE STRIP

COMMERCIAL

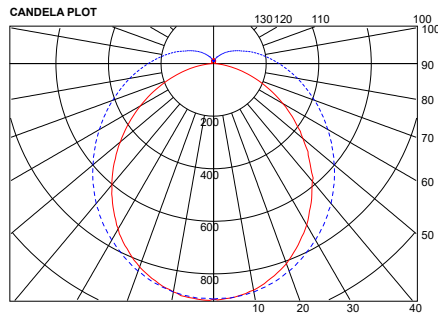
PHOTOMETRIC REPORTS

VS4-25WLED-U-40-FRAL

SUMMARY DATA

HEMISPHERES TESTED:	BOTH
EFFICIENCY (Total):	100.0 %
EFFICIENCY (Downlight):	87.8%
EFFICIENCY (Uplight):	12.2%
CIE CLASSIFICATION:	SEMI-DIRECT
LUMENS/LAMP:	3233.858
INPUT WATTS:	24.5

PLANE AND CONE DIAGRAM



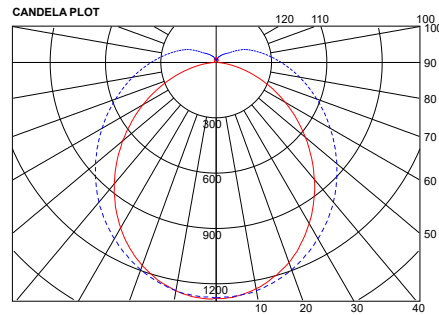
Photometric values based upon tests performed in compliance with LM-79. IES files can be downloaded at www.ilp-inc.com

VS4-35WLED-U-40-FRAL

SUMMARY DATA

HEMISPHERES TESTED:	BOTH
EFFICIENCY (Total):	100.0 %
EFFICIENCY (Downlight):	88.2%
EFFICIENCY (Uplight):	11.8%
CIE CLASSIFICATION:	SEMI-DIRECT
LUMENS/LAMP:	4578.73
INPUT WATTS:	32.9

PLANE AND CONE DIAGRAM



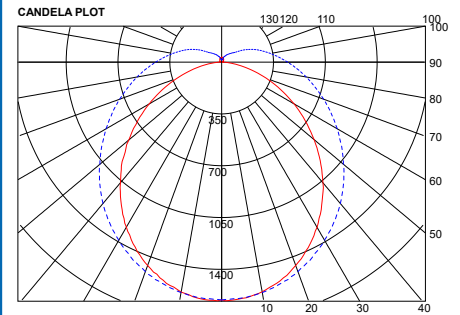
Photometric values based upon tests performed in compliance with LM-79. IES files can be downloaded at www.ilp-inc.com

VS4-46WLED-U-40-FRAL

SUMMARY DATA

HEMISPHERES TESTED:	BOTH
EFFICIENCY (Total):	100.0 %
EFFICIENCY (Downlight):	88.4%
EFFICIENCY (Uplight):	11.6%
CIE CLASSIFICATION:	SEMI-DIRECT
LUMENS/LAMP:	5758.761
INPUT WATTS:	45.1

PLANE AND CONE DIAGRAM



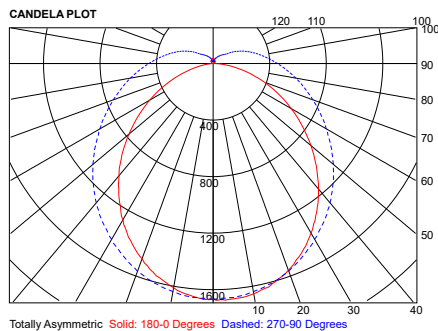
Photometric values based upon tests performed in compliance with LM-79. IES files can be downloaded at www.ilp-inc.com

VS8-46WLED-U-40-FRAL

SUMMARY DATA

HEMISPHERES TESTED:	BOTH
EFFICIENCY (Total):	100.0 %
EFFICIENCY (Downlight):	88.4%
EFFICIENCY (Uplight):	11.6%
CIE CLASSIFICATION:	SEMI-DIRECT
LUMENS/LAMP:	5936.556
INPUT WATTS:	45.8

PLANE AND CONE DIAGRAM



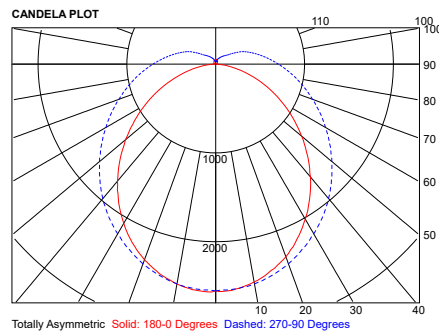
Photometric values based upon tests performed in compliance with LM-79. IES files can be downloaded at www.ilp-inc.com

VS8-65WLED-U-40-FRAL

SUMMARY DATA

HEMISPHERES TESTED:	BOTH
EFFICIENCY (Total):	100.0 %
EFFICIENCY (Downlight):	88.2%
EFFICIENCY (Uplight):	11.8%
CIE CLASSIFICATION:	SEMI-DIRECT
LUMENS/LAMP:	9157.46
INPUT WATTS:	65.8

PLANE AND CONE DIAGRAM



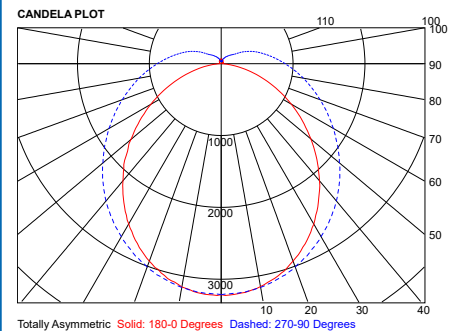
Photometric values based upon tests performed in compliance with LM-79. IES files can be downloaded at www.ilp-inc.com

VS8-90WLED-U-40-FRAL

SUMMARY DATA

HEMISPHERES TESTED:	BOTH
EFFICIENCY (Total):	100.0 %
EFFICIENCY (Downlight):	88.4%
EFFICIENCY (Uplight):	11.6%
CIE CLASSIFICATION:	SEMI-DIRECT
LUMENS/LAMP:	11517.52
INPUT WATTS:	90.2

PLANE AND CONE DIAGRAM



Photometric values based upon tests performed in compliance with LM-79. IES files can be downloaded at www.ilp-inc.com