



Always the Right Choice!

DoradoXLP

Premium Outdoor LED Area/Site Luminaire



Key Features

- Easy installation by one person in the field.
- Slip fitter, pole mount, or trunnion mount options available.
- Type II, Type III, Type IV, or Type V distributions available.
- Flux options available range from 15,800 to 68,100 lumens.
- Industry leading 10-Year warranty.

Electrical

- 120-277V or 277-480V available.
- 0-10V dimming standard.
- 10kV surge protection standard.
- System power factor >90% and THD <20%.
- Photocell/motion sensor options available.
- Operating temperature: -40°C to +45°C (-40°F to +113°F)

Mounting

- One-person installation brackets come with the luminaire when shipped.
- Slot design to avoid drilling extra holes.
- Slip fitter, pole mount, or trunnion mounting options available.

Construction

- Robust die-cast aluminum protects integral components from harsh environments and optimizes thermal management.
- Housing is protected by a corrosion resistant TGIC-polyester powder coat finish.
- Standard dark bronze finish. Custom colors available by request.
- IP66 rated enclosure prevents intrusion from environmental elements that could degrade performance.

Optics

- Precision molded optics available in Type II, Type III, Type IV, or Type V distributions.
- Industry leading LEDs with 3000K, 4000K, and 5000K CCT (minimum 70 CRI).
- Lumen Maintenance >147,000 hours (L70) ¹

Warranty

- Backed by US LED's industry leading 10-year warranty.

Project	Date
---------	------

Catalog Number	Type
----------------	------

Product Performance Summary

Lumen Output	Up to 68,100 lumens
Efficacy	Up to 150 LPW
CRI	≥ 70 CRI
Available CCT	3000K, 4000K & 5000K
Warranty	10-Year Warranty

Product Overview

The DoradoXLP is the premium choice for retrofit and new construction opportunities needing exterior LED parking lot and area lighting. Offering an array of options, the DoradoXLP can accommodate any pole or area lighting requirement, including an assortment of light distributions, mounting methods and luminaire finishes. With high performance LEDs and drivers, the DoradoXLP will shine bright for years to come.

Product Applications

- Auto Dealerships
- Parking Lots
- Educational Facilities
- Business Campuses
- Recreational Areas
- Mall/Retail Areas
- Commercial Exteriors
- Industrial Facilities
- Security Areas
- Site Pathway Areas

Product Certifications/Approvals

- ETL Listed for US & Canada.
- Complies with UL1598 and CSA C22.2.
- DLC Premium Listed.
- Suitable for Wet Locations.
- IP66 Rated Enclosure.
- RoHS Compliant.



Ordering Information

Example: QDXLP1-12-30-UNVL-1-2-N-Z1

Series	Model	CCT	Input Voltage	Finish	Optics	Sensor	Mounting
12	120W	30 3000K	UNVL 120-277V	1 Bronze ²	2 Type 2	N No Sensor	Z1 Slip fitter Mount for 2 3/8" Round Tenon
15	150W	40 4000K	UNVH 277-480V	2 White ²	3 Type 3	D1 Photocell	Z2 Slip fitter Mount for 1 5/8" Round Tenon
20	200W	50 5000K			4 Type 4	D2 Motion Sensor ³	Z3 Pole Mount for Square Pole
24	240W				5 Type 5	D3 Photocell and Motion Sensor ³	Z4 Pole Mount for 4" Round Pole
32	320W						Z5 Trunnion
40	400W						
50	500W						

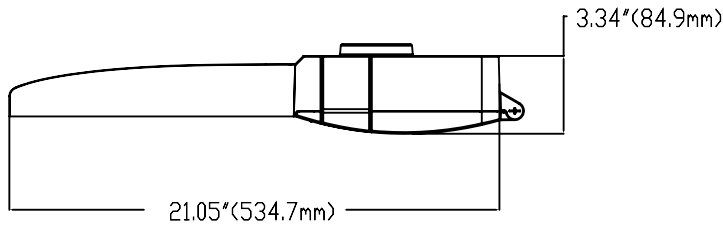
1. US LED product 'Lifetimes' refer only to the LED light engine, not the power source, and are based on the Illuminating Engineering Society's TM21 Projected Lumen Maintenance methodology at a 25° C / 77° F ambient temperature. The lifetimes are solely meant to be a guide for expected LED degradation and not a warranty or predictive of their actual life, which can be affected by ambient temperatures and other factors.
 2. Custom colors available upon request.
 3. Motion sensor only available for UNVL.

DoradoXLP

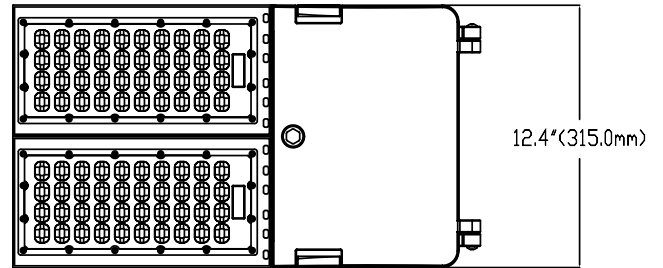
Premium Outdoor LED Area/Site Luminaire

Dimensions

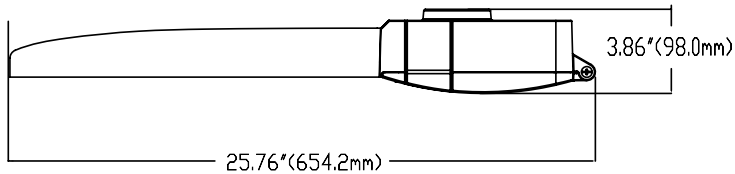
Models 120W-150W-200W (Side View)



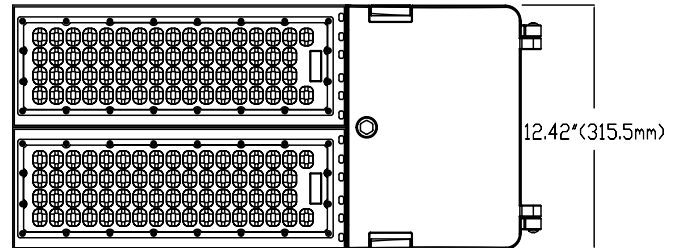
Models 120W-150W-200W (Bottom View)



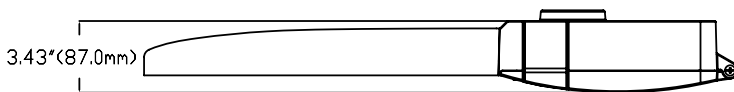
Models 240W-320W (Side View)



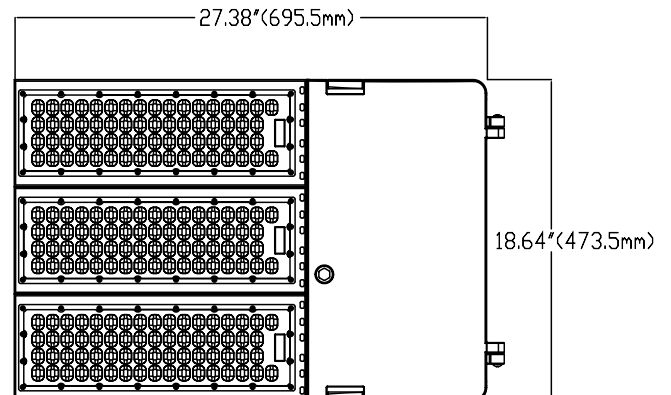
Models 240W-320W (Bottom View)



Models 400W-500W (Side View)



Models 400W-500W (Bottom View)



Model	Net Weight	EPA Rating
120W/150W/200W	18.0 lbs. (8.1kg)	2.47
240W/320W	21.3 lbs. (9.6kg)	2.89
400W/500W	31.1 lbs. (14.1kg)	4.3

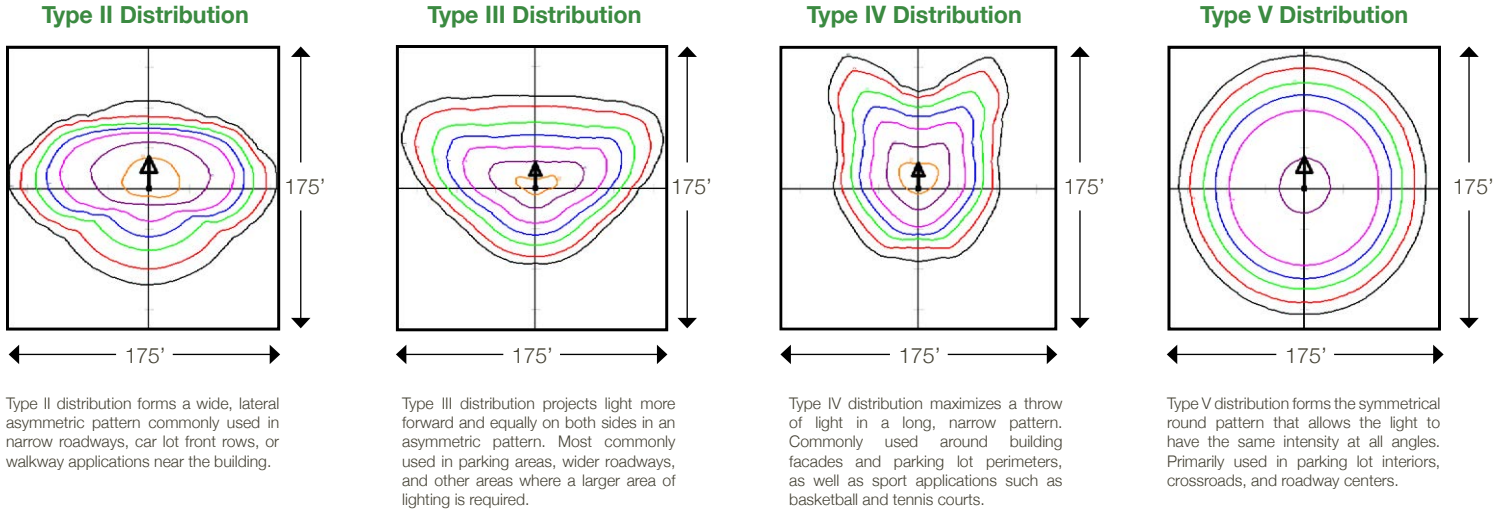
DoradoXLP

Premium Outdoor LED Area/Site Luminaire



Optical Distributions

All photometric testing performed to IESNA LM-79 standards by a NVLAP® accredited testing facility. ISO footcandle plots below demonstrate the general distribution patterns based on a 25' mounting height. Please visit www.usled.com for complete specifications, IES files, and detailed photometric data.



Performance Data

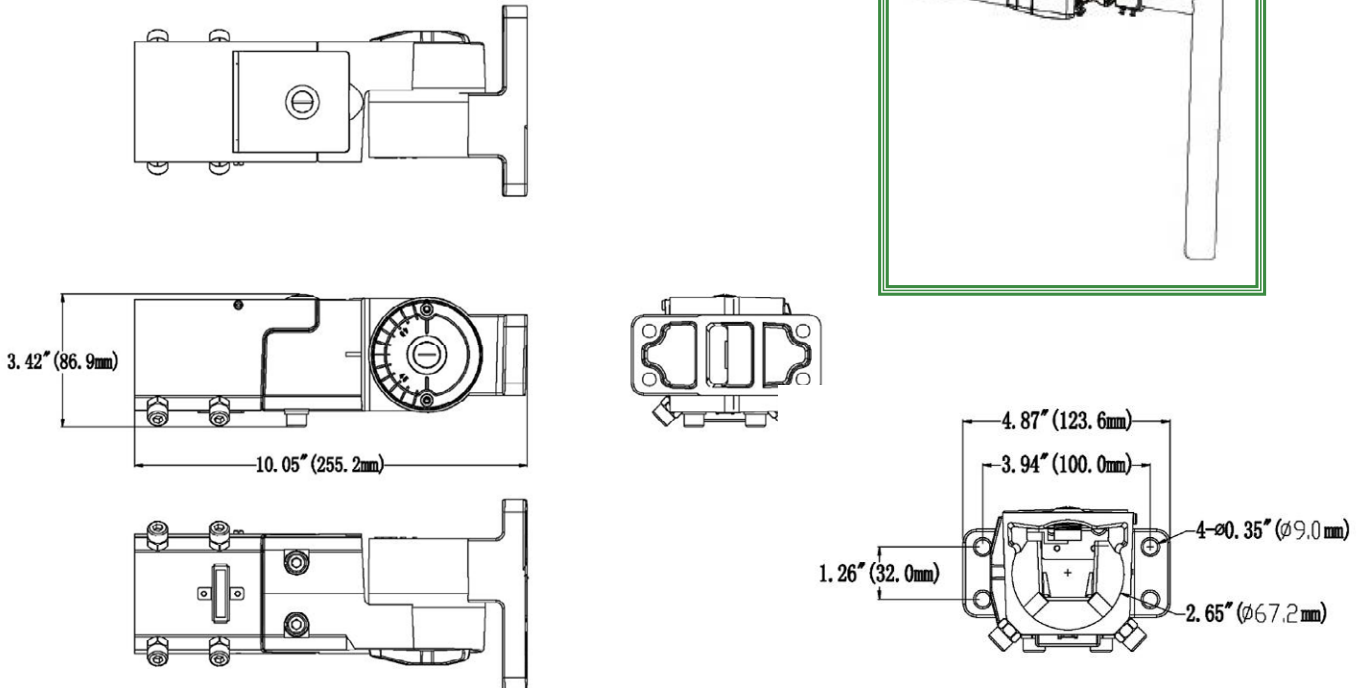
Model	CCT	System Level Power	Delivered Lumens	Efficacy	L70 Calculate Life	L85 Calculate Life
120W	3000K	112W	15,800L	141 LPW	186,000 Hours	86,000 Hours
	4000K	112W	16,400L	146 LPW	186,000 Hours	86,000 Hours
	5000K	112W	16,800L	150 LPW	186,000 Hours	86,000 Hours
150W	3000K	141W	19,400L	138 LPW	147,000 Hours	68,000 Hours
	4000K	141W	20,000L	142 LPW	147,000 Hours	68,000 Hours
	5000K	141W	20,400L	145 LPW	147,000 Hours	68,000 Hours
200W	3000K	191W	27,000L	141 LPW	147,000 Hours	68,000 Hours
	4000K	191W	27,700L	141 LPW	147,000 Hours	68,000 Hours
	5000K	191W	28,400L	145 LPW	147,000 Hours	68,000 Hours
240W	3000K	222W	31,400L	141 LPW	147,000 Hours	68,000 Hours
	4000K	222W	32,200L	145 LPW	147,000 Hours	68,000 Hours
	5000K	222W	33,000L	149 LPW	147,000 Hours	68,000 Hours
320W	3000K	307W	43,200L	141 LPW	147,000 Hours	68,000 Hours
	4000K	307W	44,300L	144 LPW	147,000 Hours	68,000 Hours
	5000K	307W	45,400L	148 LPW	147,000 Hours	68,000 Hours
400W	3000K	375W	52,800L	141 LPW	147,000 Hours	68,000 Hours
	4000K	375W	54,200L	145 LPW	147,000 Hours	68,000 Hours
	5000K	375W	55,500L	148 LPW	147,000 Hours	68,000 Hours
500W	3000K	458W	64,600L	141 LPW	147,000 Hours	68,000 Hours
	4000K	458W	66,400L	145 LPW	147,000 Hours	68,000 Hours
	5000K	458W	68,100L	149 LPW	147,000 Hours	68,000 Hours

DoradoXLP

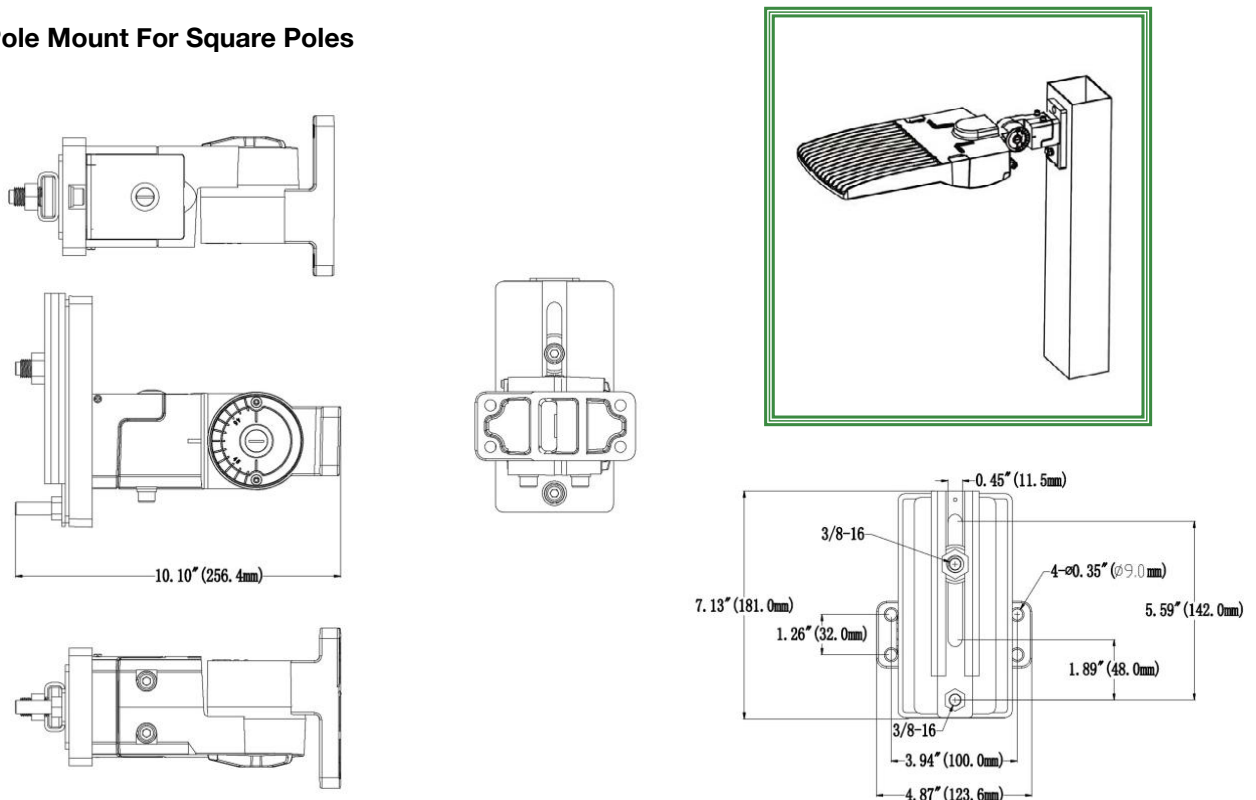
Premium Outdoor LED Area/Site Luminaire

Mounting

Z1 / Z2 Options - Slip fitter Mount For Round Tenons



Z3 Option - Pole Mount For Square Poles



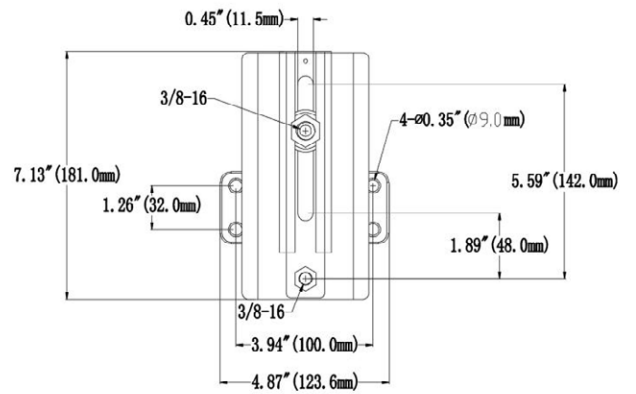
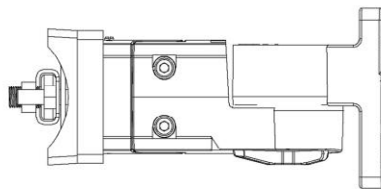
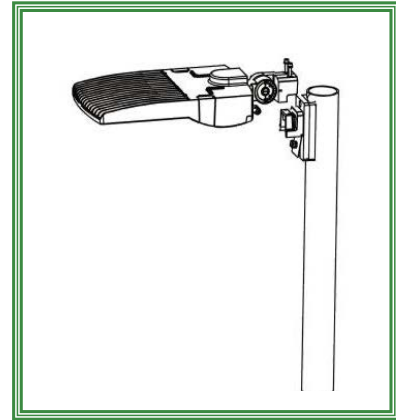
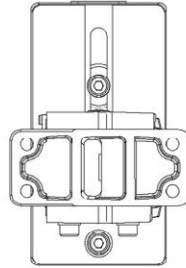
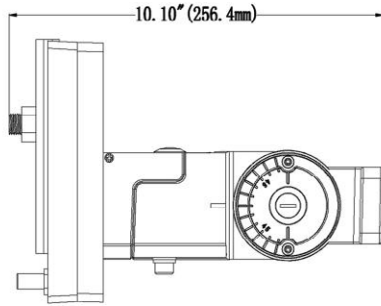
DoradoXLP

Premium Outdoor LED Area/Site Luminaire

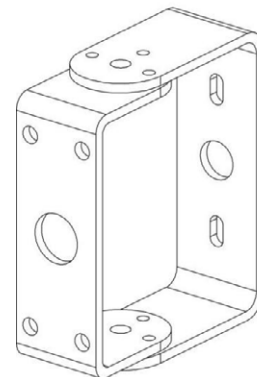
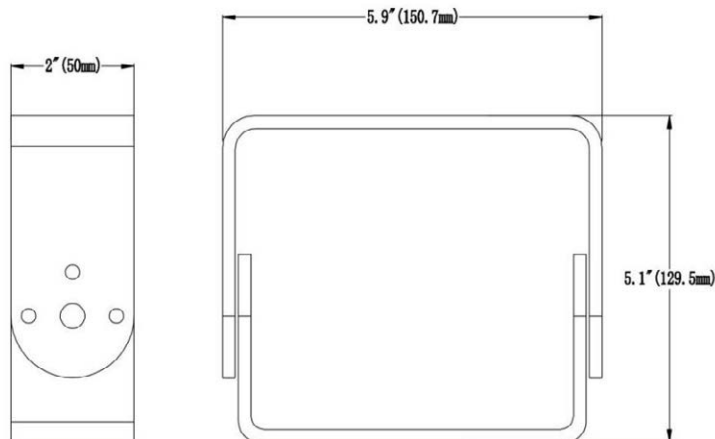
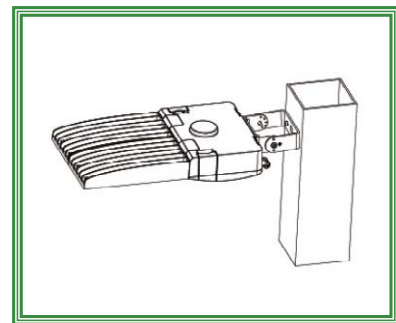
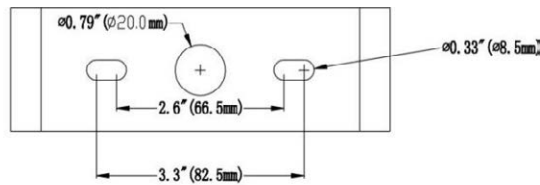


Mounting

Z4 Option - Pole Mount For 4" Round Poles



Z5 Option - Trunnion



DoradoXLP

Premium Outdoor LED Area/Site Luminaire



Accessories

BRI823-B-D - Programmable Fixture Integrated Outdoor Photo/Motion (PIR) Sensor

Overview

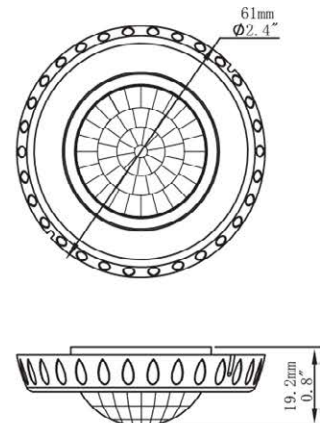
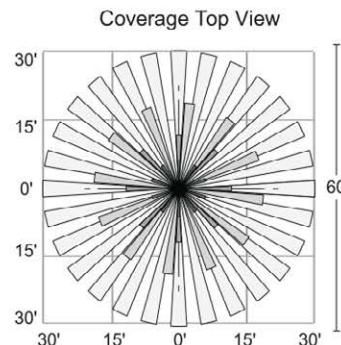
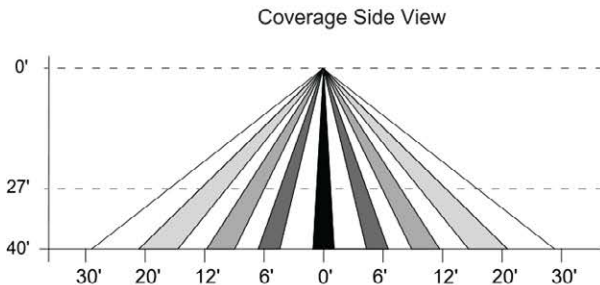
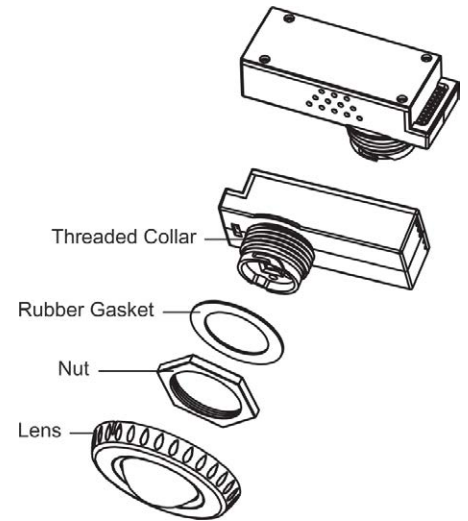
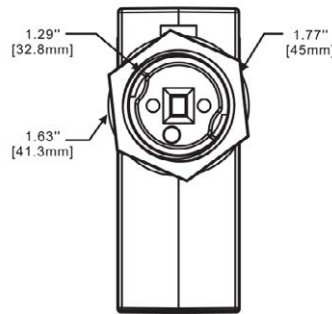
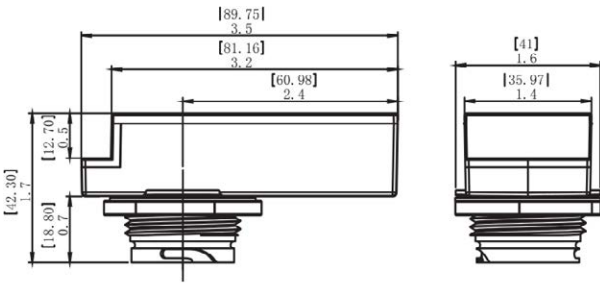
The BRI823-B-D mounts in the DoradoXLP and provides multi-level control based on motion and/or daylight contribution. 0-10V dimming and is rated for wet/cold locations. All control parameters are adjustable via a wireless configuration tool capable of storing and transmitting sensor profiles.

Key Features

- Provides line voltage on/off switching and 010V dimming control.
- High and low modes fully adjustable from 0-10V.
- Time delay from 5-10 minutes.
- Optional cut-off delay.
- Adjustable ramp up and fade down times.
- Optional daylighting set points feature automatic calibration, or permit manual adjustment.

Specifications

Power supply	120-277VAC
Maximum load @ -40°F ~ +158°F (-40°C ~ +70°C)	Resistive/Halogen - 800W/1200W@120/277V Fluorescent Ballast/CFL - 660W/1200W@120/277V Electronic Ballast (LED) - 5A/5A@120/277V
Dim control output	0-10V, max. 25mA sinking current
Detection radius/angle	30ft @ 40ft Height/360°
Mounting height	Max 24ft. @LW1 Max 40ft. @LS2
Remote range	50ft. (15m) indoor, no backlight
Humidity	Max. 95% RH
Temperature	-40°F ~ +158°F (-40°C ~ +70°C)



DoradoXLP

Premium Outdoor LED Area/Site Luminaire

Accessories

DLL127-1.5-JU⁴ - 120-277V Electronic Locking Type Photocontrol

DLL347-1.5-JU⁴ - 347V Electronic Locking Type Photocontrol

DLL480-1.5-JU⁴ - 480V Electronic Locking Type Photocontrol

Overview

With a design life of 20+ years and superior in-rush current and surge-protection features, the DLL supports extended life and low maintenance benefits associated with outdoor LED fixtures.

Key Features

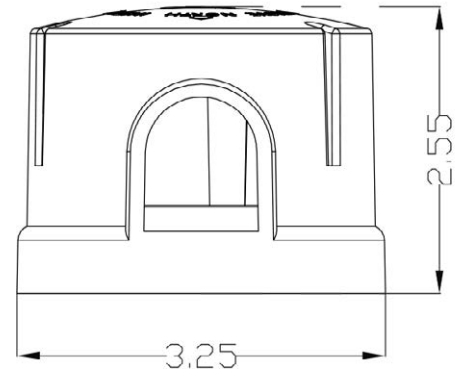
- Dusk to dawn lighting control.
- Designed to last 20+ years.
- LED inrush protection with TRIAC assisted relay.
- Double thick enclosure and lens with additional UV inhibitor.
- High temperature base plastic tested to 140°C.



Specifications

- ANSI C136.10
- RoHS compliant.
- UL listed to U.S. and Canadian safety standards.
- Surge rated in excess of ANSI C136.10 to 20kV/10kA.
- Operating Levels: Turn-on at 1.5 FC and turn-off at 2.25 FC (On:Off ration of 1:1.5).
- Operating temperature: -40°C to +70°C (-40°F to +158°F).
- Average power consumption: <0.5W @ 120V

Standard



4. Must be installed with photocell receptacle 2223.