

UHX-150W-MCTP

Customer Name: \_\_\_\_\_

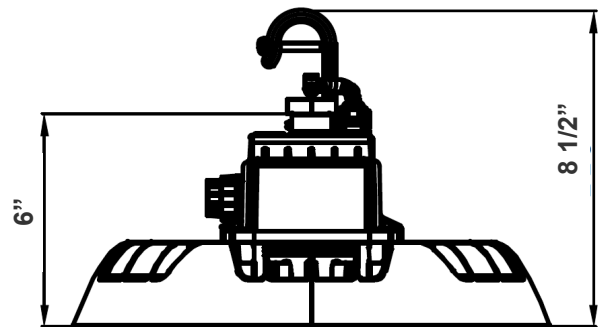
Project Name: \_\_\_\_\_

Note: \_\_\_\_\_

Type: \_\_\_\_\_



In a aluminium shell designed for heat dissipation, UHX is IP65 water resistant rated and ideal for general site lighting, alleys, loading docks, doorways, pathways, parking areas, warehouses and storage buildings.



14 3/5"  
8 1/2" (H) X 14 3/5" (D)

## Features

- Waterproof design, suitable for wet locations
- ADC12 Aluminum Heat Sink, Outdoor Powder Coating Finish
- Optical Lens: PC Materials High Light Transmittance, Anti-UV, Fire-Resistant
- Multi Color Temperature & Multi Power (Selectable Switch Located On The Driver Housing)

## Technical Specifications

### Electrical:

- Input Wattage: 50W/ 80W/ 100W/ 150W
- Input Voltage: 120-277V 50/60Hz
- Power Factor: >0.9
- THD: <20%
- Efficacy: 125 LPW

### Mechanical:

- ADC12 Aluminum Heat Sink, Outdoor Powder Coating Finish
- Optical Lens: PC Materials High Light Transmittance, Anti-UV, Fire-Resistant
- LED: LUMILEDS 2835
- LED PCB Board: High Conductive, Waterproof, Aging Resistance, salt mist Resistance, Ensure the Safety and Long Lifespan
- Operating temperature: -40°F to 122°F
- IP rating: IP65, Wet Locations
- 5-Year Warranty

### Lighting:

- Dimming: 0~10V
- Total Lumens: 6250/ 10000/ 12500/ 18750 LM
- Multi Color Temperature & Multi Power (Selectable Switch Located On The Driver Housing)
- Color Temperatures: 3000K/ 4000K/ 5000K/5700K
- Color Rendering index: > 80
- Beam Angle: 90°
- Lifespan: 50,000 Hrs

### Applications:

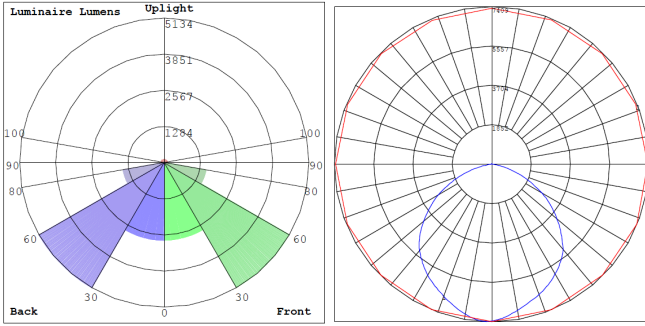
- Ideal for general site lighting, alleys, loading docks, doorway, pathway, parking areas, warehouses and storage buildings.

### Other Models:

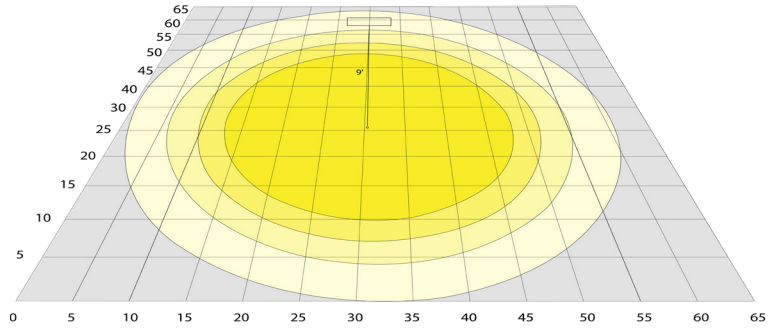
- 230W | 29900 LM | UHX-230W-MCTP



## Photometrics: UHX-150W-MCTP



BUG Rating: B4-U3-G1



Area 65'x 65' Mounting Height: 9'

## Other Views:



Side View



Top View



Bottom View

## Performance Table: UHX-150W-MCTP

MODEL NO.	Wattage	Voltage	Lumens	Color Temp	BUG Rating	LPW
UHX-150W-MCTP	50W	120-277V	6250LM	3000K	B4-U3-G1	125
	80W		10000LM	4000K		
	100W		12500LM	5000K		
	150W		18750LM	5700K		

## Sample Ordering

Model Wattage Color Temp.

UHX - 150W - MCTP

### Accessory:

Blank = No Accessory  
 HB-RING = HIGHBAY TOP RING ADAPTER, 1/2in  
 HB-EB-50/75 = HIGHBAY EXPANSION BUSHING FROM 1/2in TO 3/4"  
 UHX-SMB = UHX SERIES SURFACE MOUNTING YOKE BRACKET  
 UHX-WG-A = UHX SERIES WIRE GUARD, FITS ON FIXTURES  
 UHX-SC = UHX SERIES 22" SAFETY CABLE  
 UHX-ALR-A = UHX SERIES ALUM. REFLECTOR  
 UHX-PCR-A = UHX SERIES PRISMATIC PC REFLECTOR  
 UHX-PCDC = UHX SERIES PC DROP LENS COVER FOR REFLECTORS  
 UHX-PCC = UHX SERIES PC BOTTOM COVER FOR REFLECTORS  
 UXH-FL-B = UHX SERIES REPLACEMENT FROSTED GLASS LENS

### Factory-Installed Option:

Blank = No Accessory  
 OPT-EM-UHX = EXTERNAL EMERGENCY BACKUP BATTERY INSTALLED ON TOP OF THE FIXTURE  
 OPT-HBC=125TL-BK = NEMA TWIST-LOCK PLUG 8FT, 15A, 125V, 16/3TL, BLK  
 OPT-HBC=277TL-BK = NEMA TWIST-LOCK PLUG 8FT, 15A, 277V, 16/3TL, BLK  
 OPT-HBC=125SB-BK = STRAIGHT BLADE PLUG 10FT, 15A, 125V, 18/3TL, BLK  
 OPT-SEN-UHX = MICROWAVE BI-LEVEL SENSOR

### Example:

1. UHX-150W-MCTP

(FOR UHX 150W MCTP FIXTURE 120-277V)

2. UHX-150W-MCTP  
 HB-RING

(FOR UHX 150W MCTP FIXTURE 120-277V)  
 (HIGHBAY TOP RING ADAPTER, 1/2in)



## ACCESSORIES:



**UHX-PCR-A**  
UHX SERIES  
PRISMATIC PC  
REFLECTOR



**UHX-ALR-A**  
UHX SERIES ALUM  
REFLECTOR



**UHX-PCC**  
UHX SERIES PC  
BOTTOM COVER FOR  
REFLECTORS



**UHX-PCDC**  
UHX SERIES PC DROP  
LENS COVER FOR  
REFLECTORS



**HB-RING**  
HIGHBAY TOP RING  
ADAPTER, 1/2in



**HB-EB-50/75**  
HIGHBAY  
EXPANSION  
BUSHING FROM 1/2in  
TO 3/4"



**UHX-SMB**  
UHX SERIES SURFACE  
MOUNTING YOKE  
BRACKET



**UHX-WG-A**  
UHX SERIES WIRE  
GUARD, FITS ON  
FIXTURES



**UXH-FL-B**  
UHX SERIES  
REPLACEMENT FROSTED  
GLASS LENS



**UHX-SC**  
UHX SERIES 22"  
SAFETY CABLE

## FACTORY-INSTALLED OPTION:



**OPT-HBC-125SB-BK**  
STRAIGHT BLADE PLUG 10FT, 15A,  
125V, 18/3TL, BLK



**OPT-HBC-125TL-BK**  
NEMA TWIST-LOCK PLUG 8FT, 15A,  
125V, 16/3TL, BLK



**OPT-HBC-277TL-BK**  
NEMA TWIST-LOCK PLUG 8FT, 15A,  
277V, 16/3TL, BLK



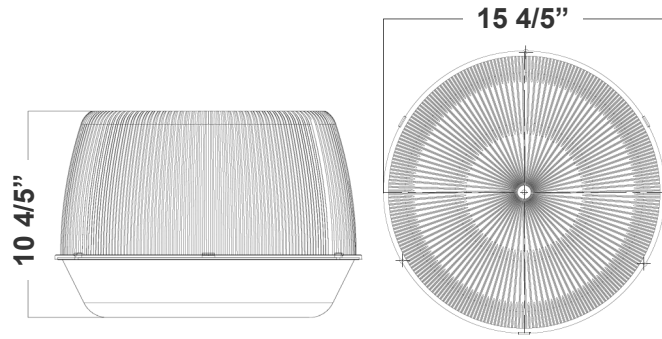
**OPT-EM-UHX**  
EXTERNAL EMERGENCY  
BACKUP BATTERY INSTALLED  
ON TOP OF THE FIXTURE  
(The bracket can be painted)



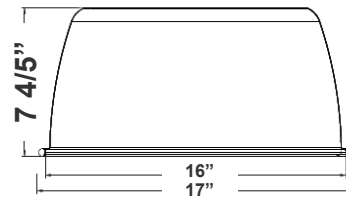
# Dimensions:



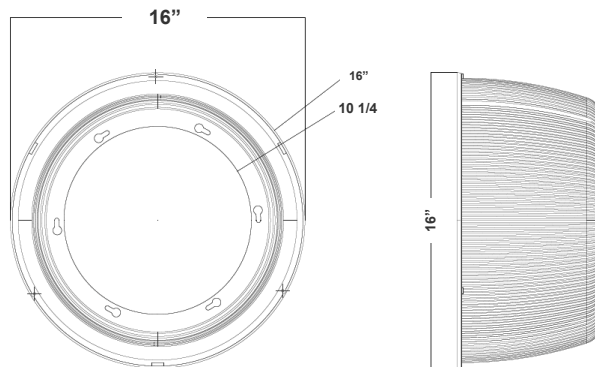
**UHX-PCC**  
UHX SERIES PC BOTTOM COVER  
FOR REFLECTORS



**UHX-ALR-A**  
UHX SERIES ALUM. REFLECTOR



**UHX-PCR-A**  
UHX SERIES PRISMATIC PC  
REFLECTOR



**UHX-PCDC**  
UHX SERIES PC DROP LENS  
COVER FOR REFLECTORS

