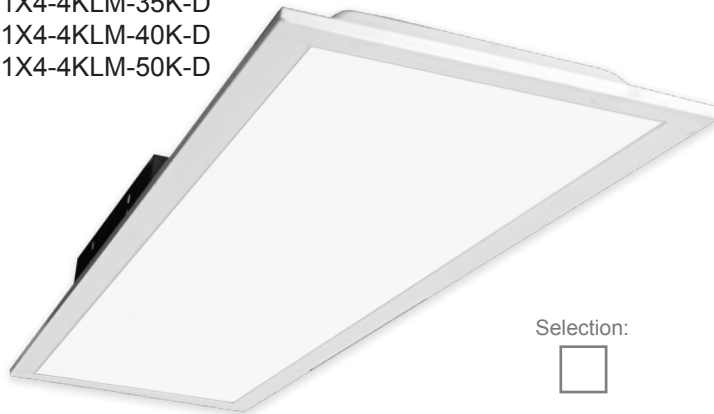


LPNG SERIES Commercial Lighting

LPNG-1X4-4KLM-27K-D
LPNG-1X4-4KLM-35K-D
LPNG-1X4-4KLM-40K-D
LPNG-1X4-4KLM-50K-D



Selection:

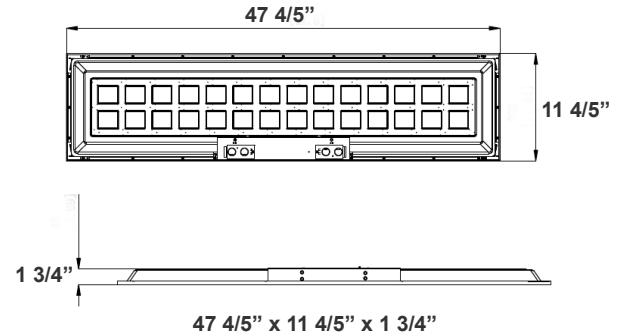


Customer Name: _____

Project Name: _____

Note: _____

Type: _____



This indoor commercial lighting is ideal for hotels, offices, retail outlets, restaurants, parking garages, storage rooms, conference rooms, education facilities, and more.

Features

- Soft and Wide Light-Emitting
- No infrared rays, No Ultraviolet Radiation, No Thermal Effect
- 50,000 Hours Rated Life
- Earthquake hooks and Suspension Hooks Pre-Installed
- No flickering, No humming, No RF interference

Technical Specifications

Electrical:

- Voltage: AC120V-277V 50/60Hz
- Power Factor: >0.90
- Wattage: 40W
- Efficacy: 100/ 110 LPW
- Fixture Operating Voltage: 36VDC
- Current (mA): 1050mA 36V DC
- Total Harmonic Distortion: ≤ 20 %

Mechanical:

- White Finish
- Earthquake Hooks and Suspension Hooks pre-installed
- External driver mounted on top
- Operating Temperature: -68°F~104°F
- Surge Protector: 1KV, 2.5KV
- Rated life: 50,000 hrs

Lighting:

- Dimmable: 0~10V Dimming
- Total Lumens: 4000LM/ 4400LM
- Color Temperatures: 2700K/ 3500K/ 4000K/ 5000K
- Color Rendering Index: CRI ≥ 80
- Soft and Wide Lighting Emitting
- No infrared rays, No Ultraviolet Radiation, No Thermal Effect
- No Flickering, No Humming, No RF Interference
- 5-Year Warranty

Applications:

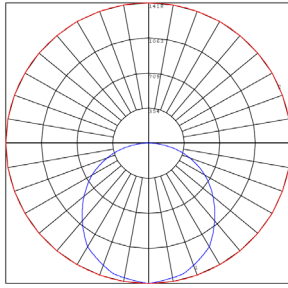
- Ideal for hotel, offices, retail outlets, restaurant, parking garages, storage room, conference room, education facilities and more.

Other Models:

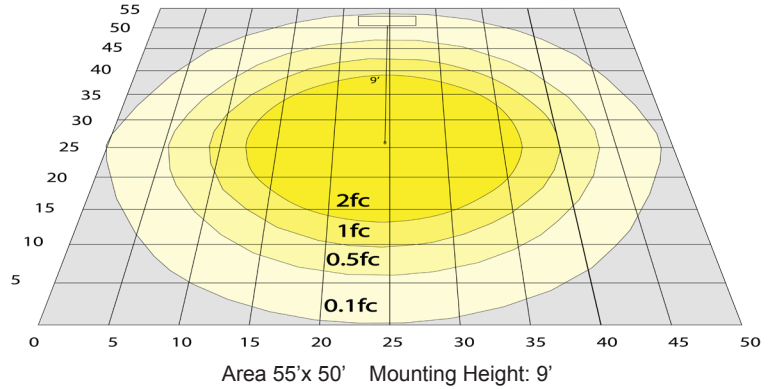
• 40W | 4000LM | LPNG-2X2-4KLM-27K-D • 50W | 5000LM | LPNG-2X4-5KLM-27K-D • 60W | 6000LM | LPNG-2X4-6KLM-27K-D • 60W | 7000LM | LPNG-2X4-7KLM-27K-D
• 40W | 4400LM | LPNG-2X2-4KLM-35K-D • 50W | 5500LM | LPNG-2X4-5KLM-35K-D • 60W | 6600LM | LPNG-2X4-6KLM-35K-D • 60W | 7200LM | LPNG-2X4-7KLM-35K-D
• 40W | 4400LM | LPNG-2X2-4KLM-40K-D • 50W | 5500LM | LPNG-2X4-5KLM-40K-D • 60W | 6600LM | LPNG-2X4-6KLM-40K-D • 60W | 7200LM | LPNG-2X4-7KLM-40K-D
• 40W | 4400LM | LPNG-2X2-4KLM-50K-D • 50W | 5500LM | LPNG-2X4-5KLM-50K-D • 60W | 6600LM | LPNG-2X4-6KLM-50K-D • 60W | 7200LM | LPNG-2X4-7KLM-50K-D



Photometrics: LPNG-1X4-4KLM



BUG Rating: B2-U3-G2



Other Views:



Side View



Front View



Back View

Performance Table: LPNG-1X4-4KLM

MODEL NO.	Wattage	Voltage	Lumens	Color Temp.	BUG Rating	LPW
LPNG-1X4-4KLM-27K-D	40W	120~277V	4000LM	2700K	B2-U3-G2	100
LPNG-1X4-4KLM-35K-D	40W	120~277V	4400LM	3500K	B2-U3-G2	110
LPNG-1X4-4KLM-40K-D	40W	120~277V	4400LM	4000K	B2-U3-G2	110
LPNG-1X4-4KLM-50K-D	40W	120~277V	4400LM	5000K	B2-U3-G2	110

Sample Ordering

Model	Size	Lumen	Color Temp.	Feature
LPNG	1X4	4KLM	2700K 3500K 4000K 5000K	D

Accessories:



- Blank = No Option For Accessories
- LPNG-RMK-1X4 = RECESSED MOUNTING FLANGE (FRAME-IN) KIT FOR INSTALLATION IN HARD SURFACES
- LPNG-SRFC-1X4 = SURFACE MOUNTING KIT FOR LPNG-1X4
- WEC-2DLH-22 = DAYLIGHT HARVESTING
- WEC-2CPDR-3 = MOTION SENSOR
- WEC-3RC=OPTIONAL REMOTE CONTROL

Factory-Installed Options:

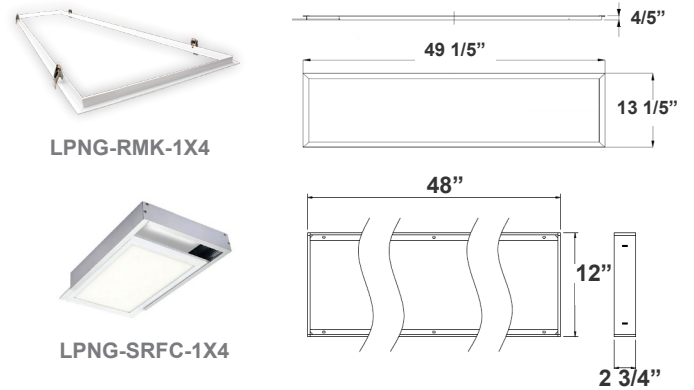


- Blank = No Option For Accessories
- OPT-EM-LP= EXTERNAL EMERGENCY BACKUP BATTERY
- OPT-FWH-63= 6FT 3-WIRE WHIP
- OPT-FWH-65= 6FT 5-WIRE WHIP
- OPT-FWH-66= 6FT 6-WIRE WHIP

Example:

- LPNG-1X4-4KLM-50K-D (FOR LPNG 1X4 4KLM 50W FIXTURE 120-277V)
- LPNG-1X4-4KLM-50K-D (FOR LPNG 1X4 4KLM 50W FIXTURE 120-277V)
LPNG-SRFC-1X4 (SURFACE MOUNTING KIT FOR LPNG-1x4)
- LPNG-1X4-4KLM-50K-D (FOR LPNG 1X4 4KLM 50W FIXTURE 120-277V)
LPNG-SRFC-1X4 (SURFACE MOUNTING KIT FOR LPNG-1x4)
OPT-EM-LP (EMERGENCY BACKUP BATTERY)

ACCESSORIES and MOUNTING KIT:



FACTORY-INSTALLED OPTIONS:

