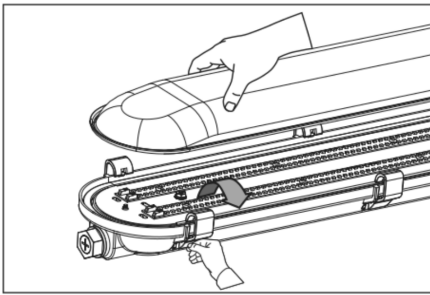


! WARNING

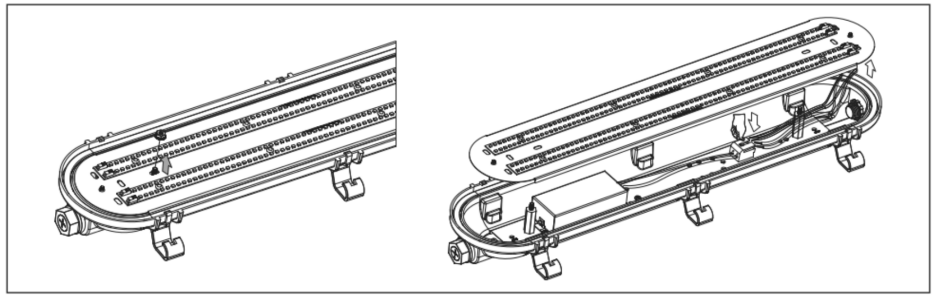
1. To avoid electric shock, disconnect power at source prior to installation.
2. The installation should be performed by qualified electricians or lighting technicians.
3. Before conducting any installation, maintenance, or removal, disable all power to the luminaries and wait until the fixture cool down.
4. Do not touch the fixture while it is in service.
5. If there is any problem with the fixture, DO turn off power and DO NOT attempt repair unless you are a qualified technician or the customer service member.

Installation

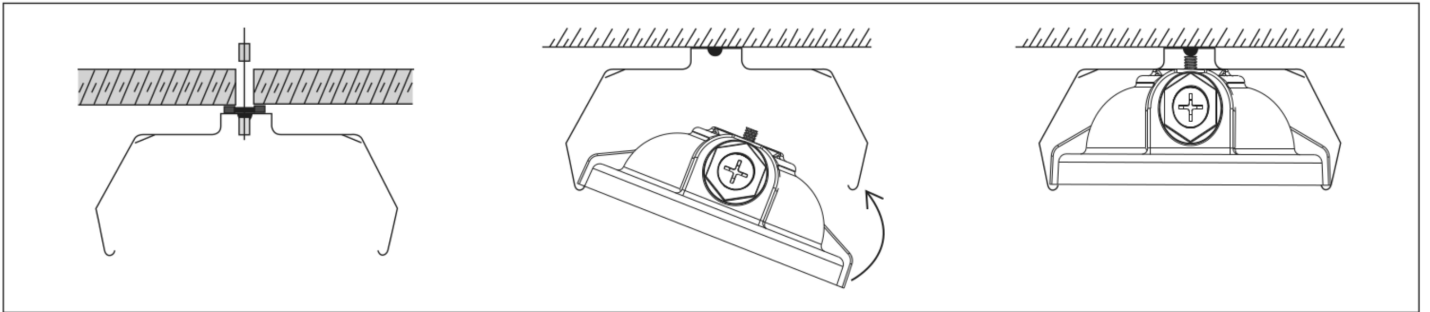
• Surface mount



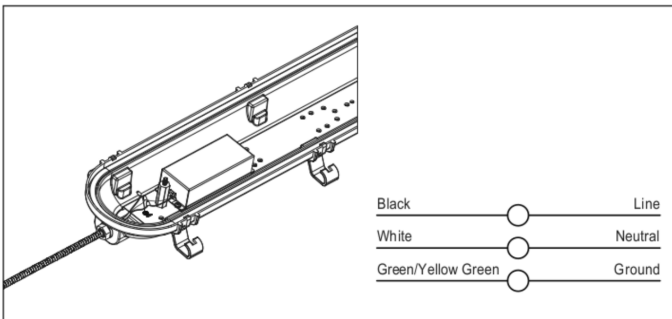
1. Unfasten the latches and remove the lens.



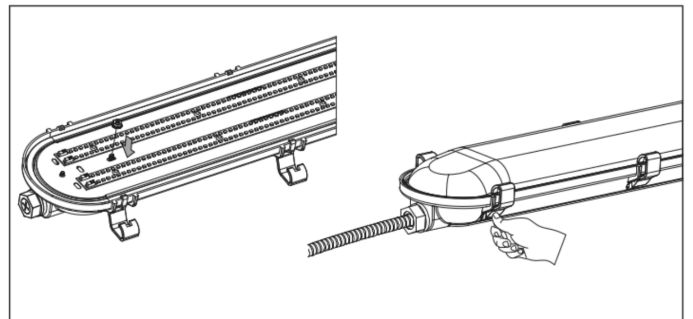
2. Loosen the screw nut, lift the LED board, then separate the output wire of LED board from the output wire of driver.



3. Mount the wraparound brackets on the ceiling or support rail using appropriate hardware. After brackets are secured in place, install one side of the housing in the bracket, then rotate up and snap the other side of the housing into bracket.



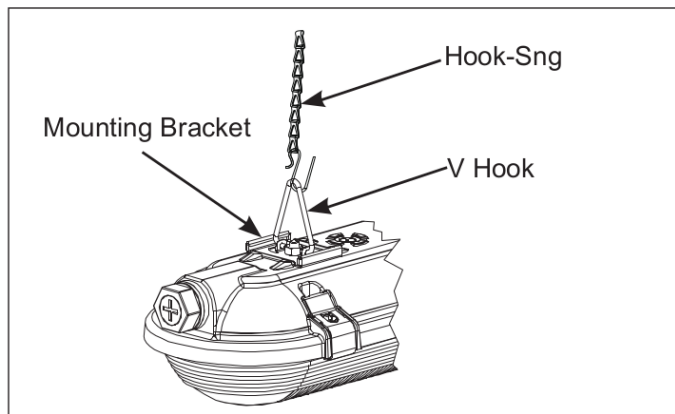
5. Connect the AC line to the black (line) and white (neutral) input wires of the LED driver. Connect the ground wire to the yellow green grounding wire, Connect the led strip wires to the driver.



6. Twist the screw nut, put on the Lens Frame Assembly and tighten it.

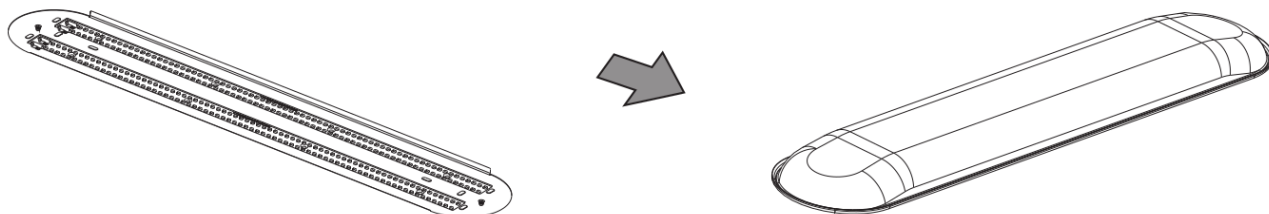
• Pendent

1. Put the mounting bracket on the housing, tighten it with screws.
2. Fasten the V hook hang it with the chain.



LED board & Lens Frame Assembly are optional for General Distribution and Parking Garage Distribution configuration:

General Distribution:



Parking Garage Distribution:

