

DESCRIPTION

The JJL Series Adjustable LED Vaportight Jelly Jar features an adjustable knuckle that allows the unit to rotate from 0° to 90°, allowing it to be mounted to a ceiling or wall - offering exceptional flexibility all in one fixture. Sturdy die-cast aluminum enclosure with a strong steel wireguard and polycarbonate globe makes the JJL Series extremely durable. EnergyStar® certification makes it an energy-saving alternative to luminaires with traditional light sources. The JJL Series can be used in a wide spectrum of applications including walkways, industrial facilities, stairwells, elevator shafts, schools, medical complexes, retail entrances, any commercial buildings and multi-family properties.

SPECIFICATIONS

Construction:

- Die-cast aluminum housing in a powder coated silver-gray finish with stainless steel hardware
- Steel wireguard for maximum protection
- UV stabilized polycarbonate globe
- Unit can be rotated from 0° to 90° for ceiling or wall mount installation
- Backbox includes four conduit entry point for ease of installation

Optics/LEDs:

- UV stabilized polycarbonate globe offering an even, diffused light idea for a variety of applications
- 30W system offering up to 2600 lumens
- Energy savings compared to traditional light sources
- Available in 3000K and 4000K CCT
- L70 reported >54,000 hours
- CRI ≥90

Electrical:

- Class 2 power supply, 120 to 277VAC, 50/60Hz
- Non dimming driver
- 4KV driver protection

Installation:

- For ceiling or wall mount applications
- Housing can be adjusted from 0° to 90° and locked into position
- Backbox accommodates conduit entry on four sides
- Mounts to a standard 3-1/2" or 4" square electrical J-box

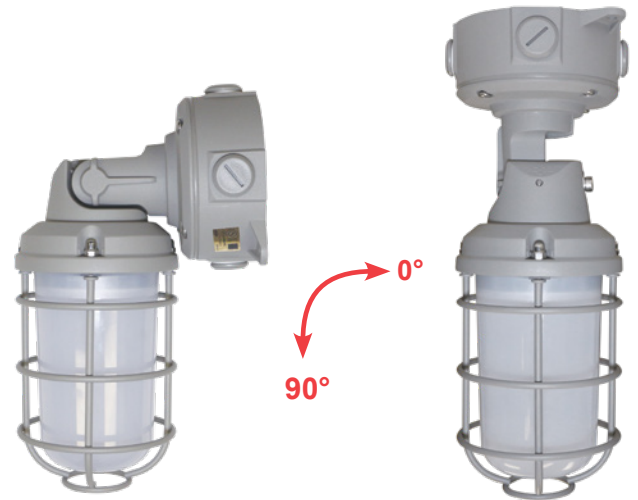
Testing & Compliance:

- cULus Listed for Wet Locations
- Tested to meet IP65 requirements
- Operating temperatures: -40°C to 40°C (-40°F to 104°F)
- ENERGY STAR® certified light fixture

Warranty:

- Five Year Warranty (Terms and Conditions Apply)

Model: _____ Date: _____
 Accessories: _____
 Job Name: _____ Type: _____



Specs at a Glance		
Wattage*	30W	
CCT (K)	3000K	4000K
Lumens (lm)	2400	2600
Equivalency (HID)	100W	
CRI	>90	
Input Voltage	120-277VAC, 50-60Hz	
Operating Temp	-40°C to 40°C (-40°F to 104°F)	
Certifications	cULus Listed for Wet Locations, ENERGY STAR	
Warranty	5 Years	
Weight	2.43 lbs	

Note: Environment and application will affect actual performance. Typical values and 25°C used for testing.

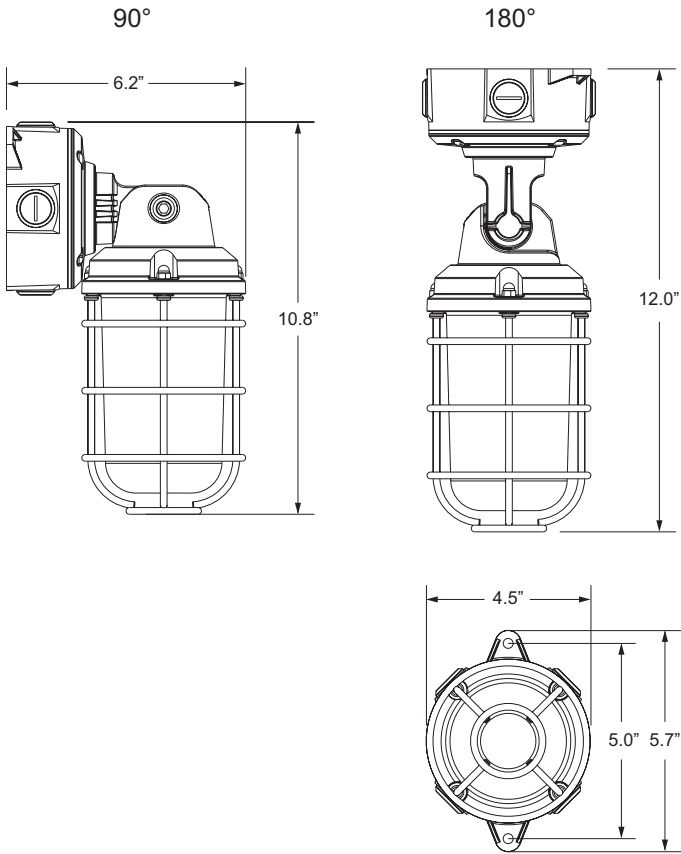
Ordering Information (Example: JJJ-30-4K-SV)

Series	Wattage	CCT	Finish ¹
JJJ	30 = 30W	3K = 3000K	SV = Silver-Gray
		4K = 4000K	

Notes

¹ Consult factory for other finishes

Dimensions



Sample Photometry

JJJ-30-4K

IES: TYPE VS Short

MOUNTING HEIGHT: 10'

TILT: ZERO

HORIZONTAL SPACING CRITERIA: 2.24

