

DESCRIPTION

The low-profile RCL round LED canopy/garage luminaire features a domed lens allowing uplight and improved light distribution. Its high-performance light engine is designed for maximum efficacy and heat dissipation. The RCL is offered with an optional integral 1-10V dimming occupancy sensor to maximize energy savings. This product is ideal for applications including, but not limited to, parking garages, schools, office complexes, light commercial developments, apartments, walkways, entryways and stairwells.

CONSTRUCTION

- Die-cast aluminum housing with stainless steel hardware
- Hinged mounting plate for easy surface mount installation
- White powder coat finish
- Unit includes a 3' whip for ease of wiring in pendant mount applications
- Hex head fasteners in a white finish optimize aesthetics and deter vandalism

OPTICS/LEDS

- High transmittance UV-stabilized dome Fresnel lens provides uplight
- 160° Distribution for optimal spacing
- 40W and 60W models with up to 7818 lumens for maximum project flexibility
- Efficacies up to 133 LPW maximize energy savings and utility rebates
- 4000K and 5000K CCT
- L90 of 54,000 hours at 40°C (104°F)
- CRI ≥ 80

ELECTRICAL

- Class 1, 120 - 277VAC driver, 50/60Hz
- 1-10V Dimming driver
- Power factor > 0.90
- Total harmonic distortion < 20%

INSTALLATION

- Easy surface mount installation with the hinged mounting plate. Can be surface mounted to standard 3-1/2" or 4" recessed square electrical J-box
- Three removable threaded plugs allow surface mounted 1/2" conduit feed
- Pendant mounted using a standard 3/4" downrod and hardware (supplied by others)

OPTIONS

- Integral 1-10V dimming occupancy sensor with built-in daylight control (SC)

TESTING & COMPLIANCE

- cULus Listed for Wet Locations
- DesignLights Consortium® (DLC) PREMIUM Qualified
- Meets state of California Title 24 requirements for dimming and control of light fixtures
- Operating temperatures: -20°C to 40°C (-4°F to 104°F)

WARRANTY

- Five year warranty (terms and conditions apply)

Note: Environment and application will affect actual performance. Typical values and 25°C used for testing. Specifications subject to change without notice.

ORDERING INFORMATION

Example: RCL40-4K-WH-SC

Series/Wattage	CCT	Finish	Options
RCL40 = 40W	4K = 4000K	WH = White	SC = Integral sensor
RCL60 = 60W	5K = 5000K		

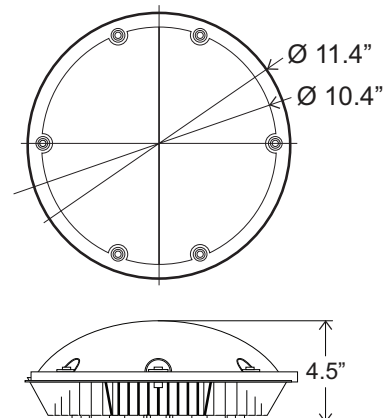
Model: _____ Date: _____
 Accessories: _____
 Job Name: _____ Type: _____



Specs At A Glance*				
Wattage (W)	40		60	
CCT	4000K	5000K	4000K	5000K
Lumens (lm)	5244	5569	7432	7818
Efficacy (LPW)	127	132	127	133
Equivalency (HID)	150W		250W	
Distribution	Type V, 160°			
CRI	≥80			
Input Voltage	120-277VAC, 50/60Hz			
Operating Temp	-20°C to 40°C (-4°F to 104°F)			
Certifications	UL Listed for Wet Locations, IP65, DLC PREMIUM			
Warranty	5 Years			
Weight	6.0 lbs			

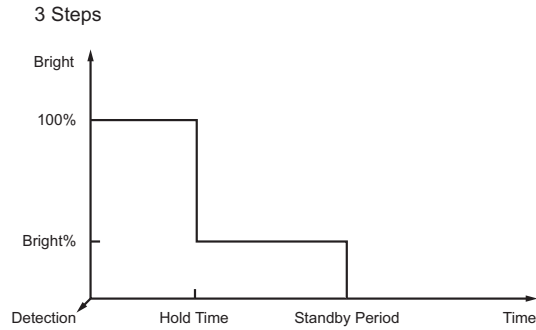
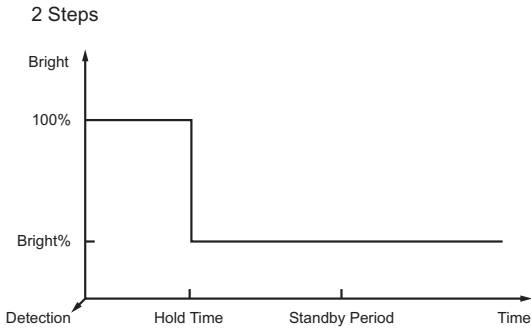
*Nominal Wattage

DIMENSIONS



SENSOR SETTING

(Can be modified in the field) Sensor can be set up to turn off after a certain period of inactivity or remain in low mode until motion is detected.



Dip Switch Sensor Settings:

ON		1	2	
↑	I	ON	ON	100%
■	II	ON	OFF	75%
□	III	OFF	ON	50%
OFF	IV	OFF	OFF	10%

Default setting with gray background

Detection area

Detection area can be reduced by selecting the combination on the DIP switches to fit precisely each application

ON		3	4	5	
↑	I	ON	ON	ON	5S
■	II	OFF	ON	ON	30S
□	III	ON	OFF	ON	90S
OFF	IV	OFF	OFF	ON	3MIN
	V	ON	ON	OFF	20min
	VI	OFF	OFF	OFF	+∞

Hold time

Refers to the time period the lamp remains at 100% illumination after no motion is detected.

ON		6	7	8	
↑	I	ON	ON	ON	0S
■	II	OFF	ON	ON	5S
□	III	ON	OFF	ON	5min
OFF	IV	OFF	OFF	ON	10min
	V	ON	ON	OFF	30min
	VI	OFF	ON	OFF	1h
	VII	OFF	OFF	OFF	+∞

Stand-by period

Refers to the time period the lamp remains at a low light level before it completely switches off in the long absence of people. When set to +∞ mode, the low light maintained until motion is detected.

ON		1	2	3	4	
↑	I	OFF	OFF	ON	ON	2Lux
■	II	OFF	OFF	OFF	ON	5Lux
□	III	OFF	ON	ON	OFF	10Lux
OFF	IV	OFF	OFF	ON	OFF	25Lux
	V	OFF	ON	OFF	OFF	50Lux
	VI	ON	OFF	OFF	OFF	100Lux
	VII	OFF	OFF	OFF	OFF	Disable

Daylight sensor

The sensor can be set to only allow the lamp to illuminate below a defined ambient brightness threshold. When set to Disable mode, the daylight sensor will switch on the lamp when motion is detected regardless of ambient light level. 50lux, 30lux: twilight operation, 10lux, 5lux: darkness operations only. Note that daylight sensor is active only when lamp totally switches off.

ON		5	6	
↑	I	ON	ON	50%
■	II	OFF	ON	30%
□	III	ON	OFF	20%
OFF	IV	OFF	OFF	10%

Stand-by dimming level

The low light level you would like to have after the hold time in the long absence of people.