

Project Name:	Part Number:	Type:
---------------	--------------	-------

# GRID FRAME HIGH BAY 2x2

## RECESSED HIGH BAY



407-478-3759  
www.ilp-inc.com

### FEATURES

- 2x2 Recessed Grid High Bay
- Specification grade for new construction or renovation of any building
- .040 aluminum prepainted housing
- Standard Configuration
  - No Lens
  - No Wire Cage
- Frosted Lens option available
- Clear Polycarbonate Lens option available
- Wire Cage option available
- Flange Kit option available
- 0-10V Dimmable Driver (100% - 5%)
- 120V-277V Universal Voltage
- 5 year warranty
- ETL Damp Listed
- DesignLights Consortium® Premium Qualified Luminaire



Without Frosted Lens



Frosted Lens



### SUITABLE APPLICATIONS

- Gymnasiums
- Multipurpose Rooms
- Car Dealerships
- Racquetball Courts

LED SYSTEMS INFO	90W	90W FRL	115W	115W FRL	135W	135W FRL
Calculated L <sub>70</sub>	>100K	>100K	>100K	>100K	>100K	>100K
Delivered Lumens	13,859 lm	12,352 lm	17,036 lm	15,037 lm	20,742 lm	18,340 lm
Total Input Watts	88 W	89 W	113 W	113 W	136 W	136 W
Efficacy Rating	157 lm/W	140 lm/W	150 lm/W	134 lm/W	153 lm/W	135 lm/W
CCT	5000K	5000K	5000K	5000K	5000K	5000K
CRI	>80	>80	>80	>80	>80	>80
Ambient Range	-40°F - 125°F	-40°F - 125°F	-40°F - 120°F	-40°F - 120°F	-40°F - 115°F	-40°F - 115°F

LED System data above based on GH22-90WLED-UNIV-50, GH22-90WLED-UNIV-50-FRL, GH22-115WLED-UNIV-50, GH22-115WLED-UNIV-50-FRL, GH22-135WLED-UNIV-50, & GH22-135WLED-UNIV-50-FRL  
Lumen Maintenance Estimates based on TM-21 projections for the light source at 25°C ambient.

### ORDERING GUIDE:

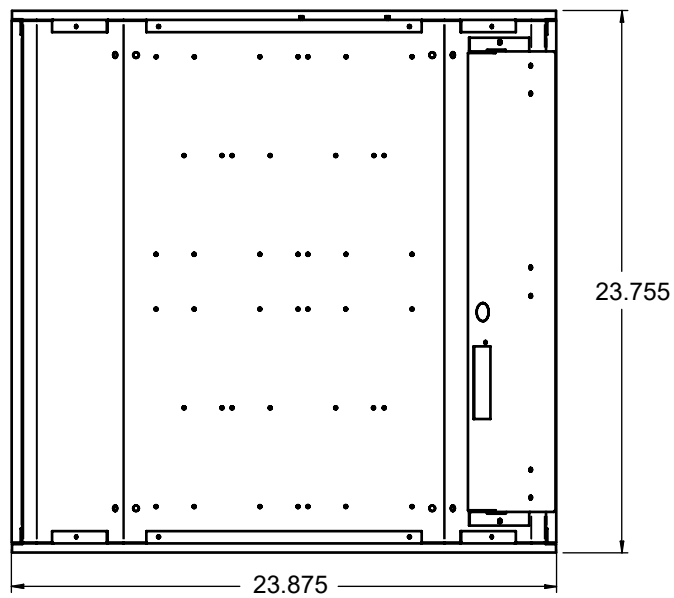
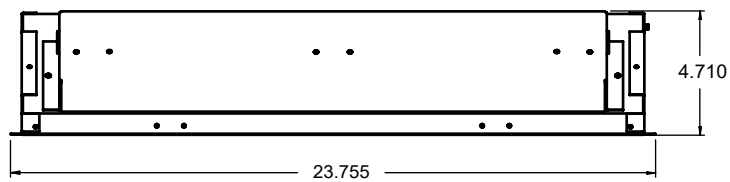
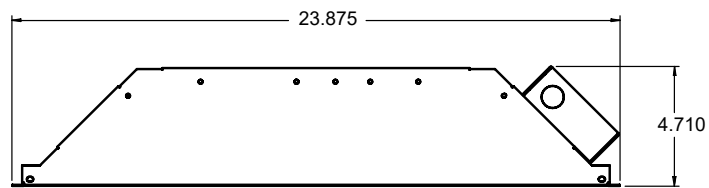
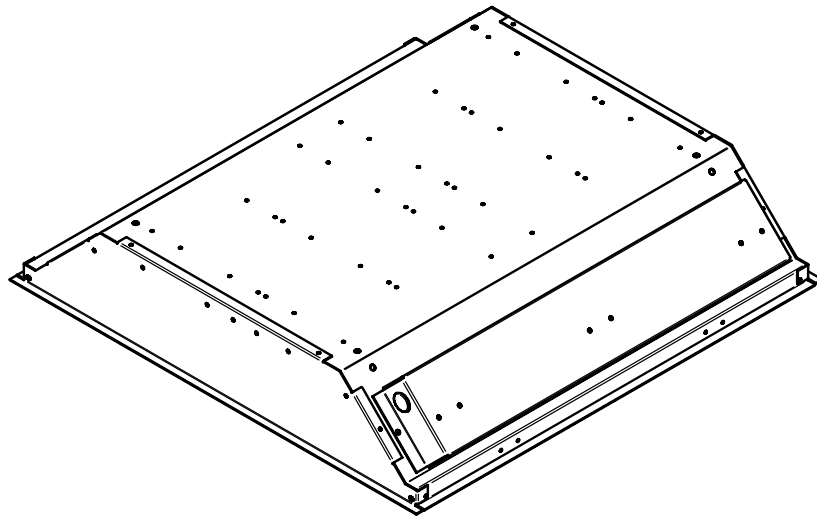
Series	Watts	Driver	Color	Options
GH22 Grid High Bay 2x2	90WLED	UNIV 120-277V Driver	50	FRL
	115WLED		40	PCL**
	135WLED		35	WC**
			30	FLGK
				HC
				G*
				G2*
				G3*
				FI/ILBCP05
				FI/ILBCP07
				FI/ILBCP10
				FI/ILBCP12
				SD480**
				SD347**
				WHIP/6FT
				WHIP/6FT/4WIRE
				WHIP/6FT/5WIRE/600V
				Frosted Acrylic Lens
				Clear Polycarbonate Lens
				Wire Cage
				Flange Kit
				Hurricane Clips
				Single Gasket
				Double Gasket
				Triple Gasket
				5W LED Factory Installed Battery Backup
				7W LED Factory Installed Battery Backup
				10W LED Factory Installed Battery Backup
				12W LED Factory Installed Battery Backup
				480V Step Down Transformer
				347V Step Down Transformer
				6ft MC Cable Whip w/ 3 Leads
				6ft 4 Wire MC Cable Whip w/ 4 Leads used for Battery Backup
				6ft 5 Wire MC Cable Whip w/ 3 leads attached to power, & 2 leads attached to dimming

\* Does not make fixture Wet Location or Dust Tight Rated

\*\* Does not qualify for DLC

# GRID FRAME HIGH BAY 2x2

## RECESSED HIGH BAY



# GRID FRAME HIGH BAY 2x2

## RECESSED HIGH BAY

### PHOTOMETRIC REPORTS

Photometric values based upon tests performed in compliance w/ LM-79. Download IES files at [www.ilp-inc.com](http://www.ilp-inc.com)

